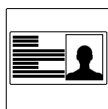


## SAFETY & WARNINGS

- 1. READ AND FOLLOW ALL SAFETY INSTRUCTIONS**
2. Install in accordance with national and local electrical code regulations.
3. This product is intended to be installed and serviced by a qualified, licensed electrician.
4. Do not use if there is any damage to fixture or wiring. Inspect periodically.
5. Do not submerge fixture in liquids or use the product in the vicinity of standing water or other liquids.
6. Do not install near areas with exposure to salt water or chlorinated water.
7. Do not install in direct sunlight or damage to the LED phosphor will occur.
8. Do not attempt to fix this product in the field.
9. Failure to follow safety warnings, and installation instructions will be void the warranty for this product.



## QUICK SPECS / MODELS

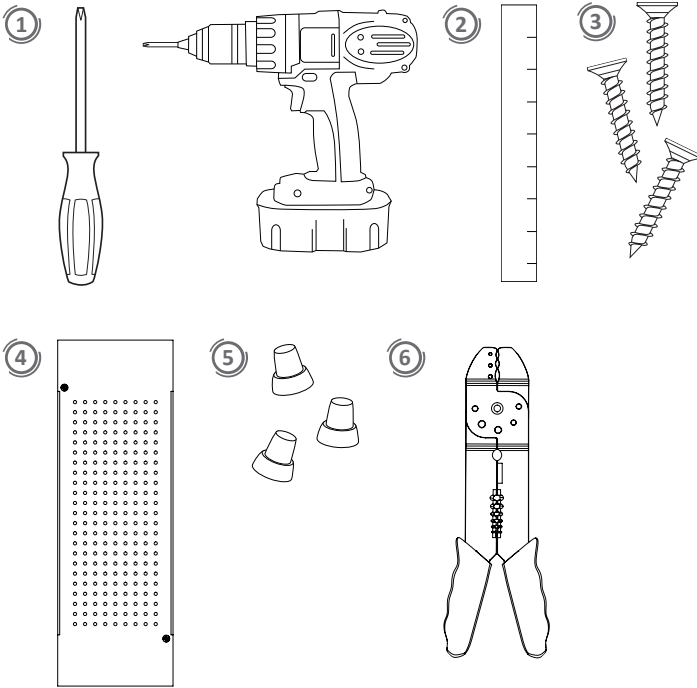
<b>Input</b>	120V-277VAC
<b>Power</b>	75w per module
<b>Ambient Temp †</b>	-4° - 122°F (-20° - 50°C)

† Do not install product in environment outside listed temperature.

# VOLANTE<sup>®</sup> LED Flood Light

INSTALLATION GUIDE

## REQUIRED TOOLS



1. Phillips-head Screwdriver and/or Power Drill
2. Ruler
3. (3x) Appropriate Screws Wood/Concrete etc.
4. Junction Box
5. (3x) Twist-On Wire Connectors
6. Wire Strippers

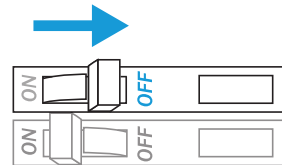
## INSTALLATION

### 1 TURN POWER OFF AT CIRCUIT BREAKER



**SHOCK HAZARD! May result in serious injury or death.**

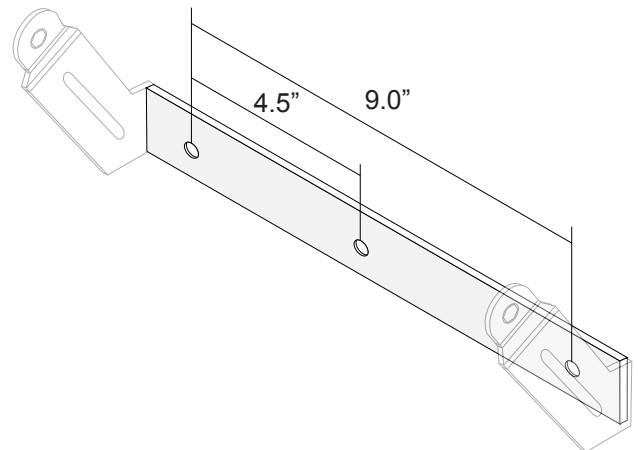
Turn power OFF at circuit breaker prior to installation.



### 2 DETERMINE LOCATION TO INSTALL COMPONENTS

***\*NOT FOR USE IN SUBMERSIBLE APPLICATIONS, OR WITHIN 5 FEET OF A SWIMMING POOL.***

#### MOUNTING BRACKET MEASUREMENTS



# VOLANTE<sup>®</sup> LED Flood Light

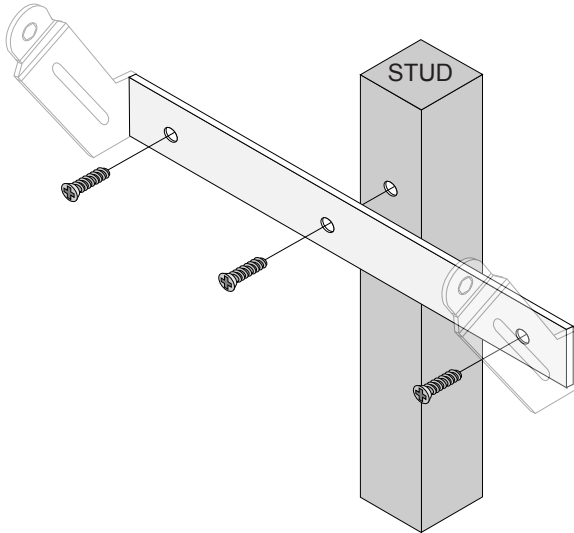
INSTALLATION GUIDE

## INSTALLATION (CONT.)

### 3 MOUNT TO SURFACE

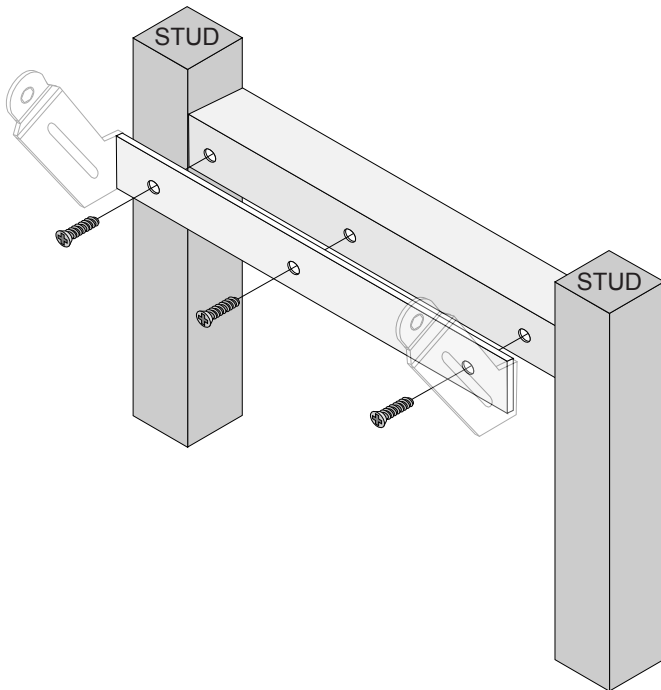
#### a) PLACING VOLANTE<sup>®</sup> ON STUD OR POST

To provide support for the VOLANTE<sup>®</sup> Flood Light, align center screw with stud or post.



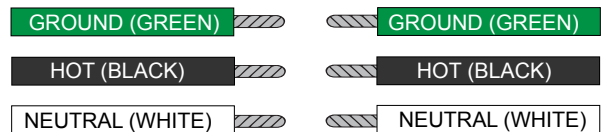
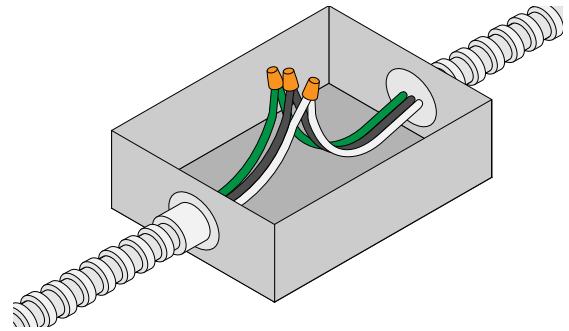
#### b) PLACING VOLANTE<sup>®</sup> BETWEEN STUDS

To provide support for VOLANTE<sup>®</sup> Flood Light, align mounting screws with brace between studs.



### 4 CONNECT WIRING

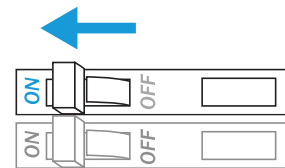
Connect wiring to 120v-277v AC circuit within an appropriately rated junction box.



#### INSTALLING OUTDOORS?

If installing outdoors, ensure junction box is rated for outdoor use, and sealed properly before continuing.

### 5 TURN POWER ON AT CIRCUIT BREAKER



# VOLANTE<sup>®</sup> LED Flood Light

INSTALLATION GUIDE

## TROUBLESHOOTING

<b>Lights are flickering</b>	<ul style="list-style-type: none"><li>• This product is not dimmable. Only install on switching (On/Off circuit).</li><li>• Verify fixture is wired to a 120V-277VAC circuit.</li></ul>
<b>Lights will not illuminate</b>	<ul style="list-style-type: none"><li>• Ensure main power is turned On.</li><li>• Ensure breaker has not tripped.</li></ul>

## TOOLS & RESOURCES

### **VOLANTE<sup>®</sup> SPECIFICATION SHEET**

For full specifications.



Toll Free: 877.817.6028 | Fax: 415.592.1596 | [www.DiodeLED.com](http://www.DiodeLED.com) | [info@DiodeLED.com](mailto:info@DiodeLED.com)  
© 2015 Elemental LED Inc. All rights reserved. Specifications are subject to change without notice.